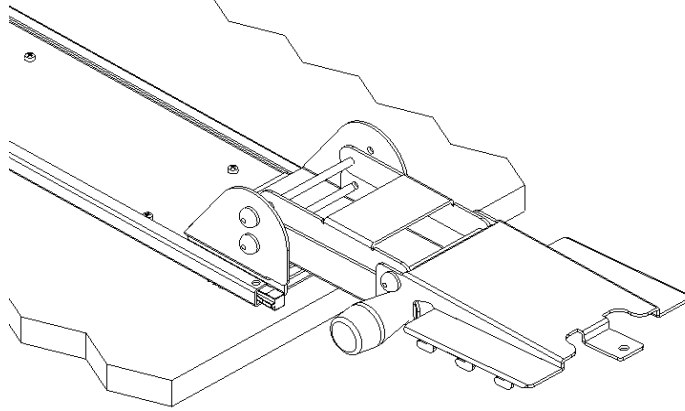


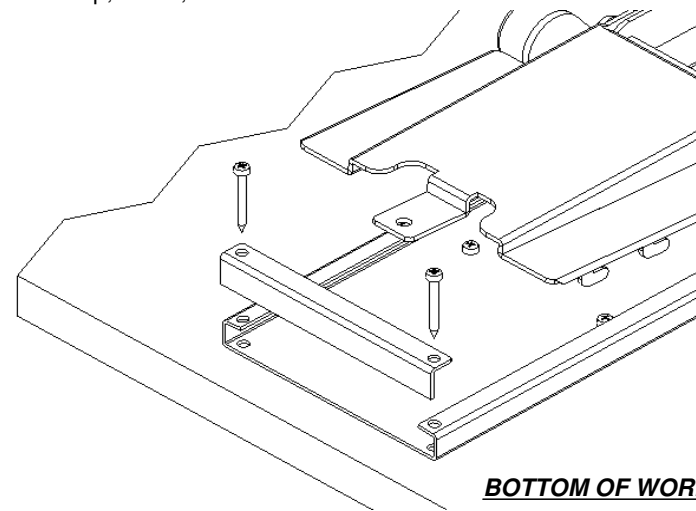
MYRIAD KEYBOARD/MOUSE INSTALLATION INSTRUCTIONS

STEP 2: Slide (D) Arm Mechanism into the grooves of the (A) Track.

BOTTOM OF WORKSURFACE



STEP 3: Fasten the (G) Track Stop into place with two (H) #8 X 1 1/2" Pan Ph screws, going through the Track Stop, Track, and into the bottom of the work surface.

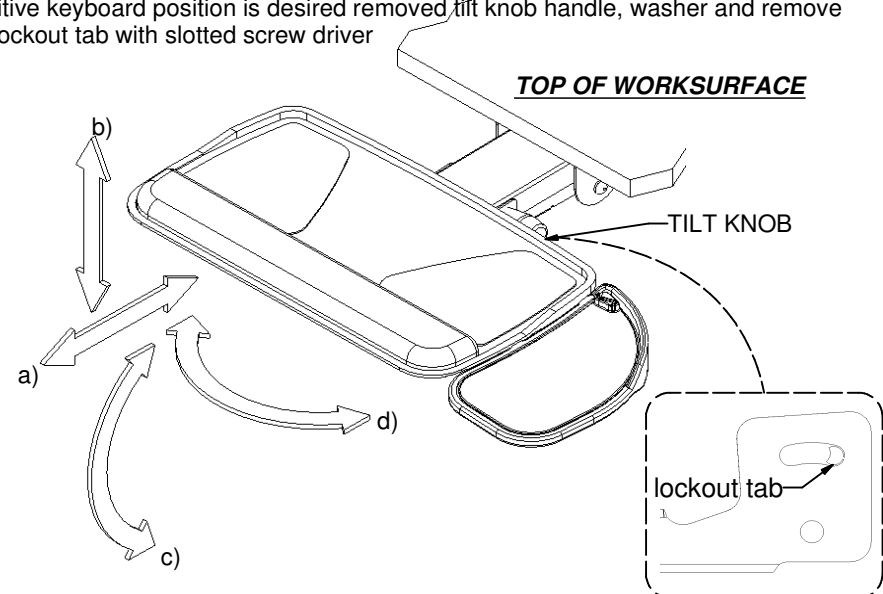
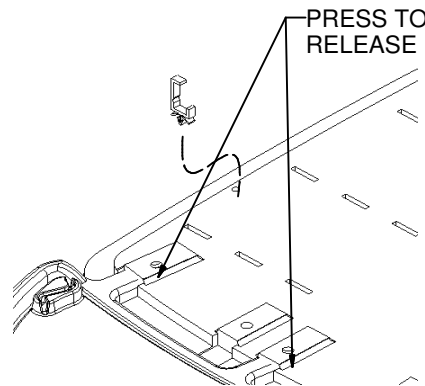
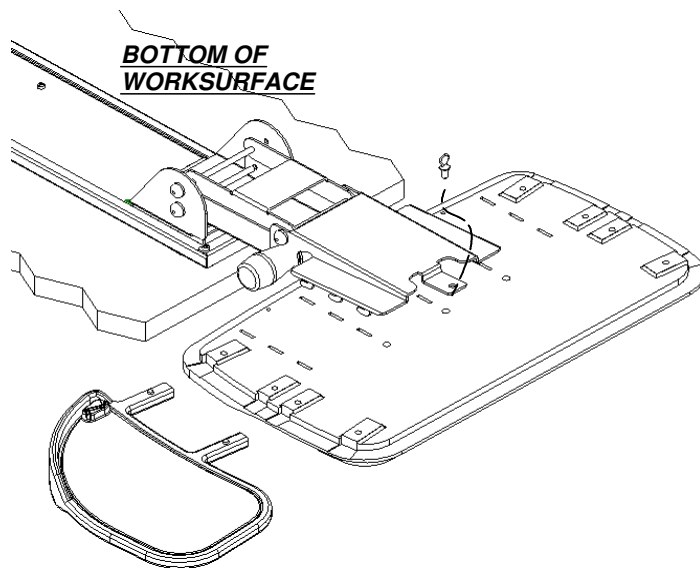


BOTTOM OF WORKSURFACE

STEP 4: Insert hooks on (D) Arm Mechanism into slots on the bottom of (C) Keyboard Tray (there are three positions possible). Pull tray forward to engage hooks and secure with (E) Thumb Screw through hole as shown (tighten firmly). The (F) Mouse Tray can be placed in one of four positions; insert the two Mouse Tray legs into the desired holes of the Keyboard Tray until they snap into place. (To remove for repositioning, press the two buttons on the legs as shown in the close-up view and pull the Mouse Tray out.) Press the two (I) Cord Saddle Clips into the holes located on the back bottom side of the Keyboard Tray. (J) Cord Saddle Clips and (K) Cord "D" Clips (not shown) are used for cord management for the keyboard and mouse cords.

STEP 5: Installation is finished. To operate the system:

- Push in/pull out the Keyboard Tray.
- For height adjustment lift and tilt back of Keyboard Tray down or pull up to adjust the height; release to lock in place.
- For tilt adjustment loosen the tilt knob/lever on the right side of the Arm Mechanism, position the Keyboard Tray to a neutral or negative position, and retighten the knob/lever.
- The Arm Mechanism will also swivel to the left or right with a moderate push to the side.
- If positive keyboard position is desired removed tilt knob handle, washer and remove positive lockout tab with slotted screw driver



For questions or concerns, please call K & A Manufacturing, Inc. 1-800-298-4351 available Monday-Friday 8:00 AM to 5:00 PM (Central Time)

www.rightangleproducts.com

04/19/2004